

**ASME A17. 1-1996
Rule 204.2**

**Passenger-Car Enclosures
204.2a Material for Car
Enclosures, Enclosure Linings,
and Floor Coverings.**

All materials exposed to the car interior and the hoistway shall be metal, laminated glass [Rule 204.1h (3) (a)], or shall conform to the following:

(1) Materials in their end use configuration, other than those covered by Rules 204.2a (2), (3), and (4), shall conform to the following requirements, based on the tests conducted in accordance with the requirements of ASTM E 84, UL 723, or NFPA 255:

(a) Flame spread index of 0 to 75;

(b) Smoke development of 0 to 450.

(2) Napped, tufted, woven, looped, and similar materials in their end use configuration on car enclosure walls shall conform to the requirements of Section 1104. The enclosure walls to which this material is attached shall conform to the requirements of Rule 204.2a (1).

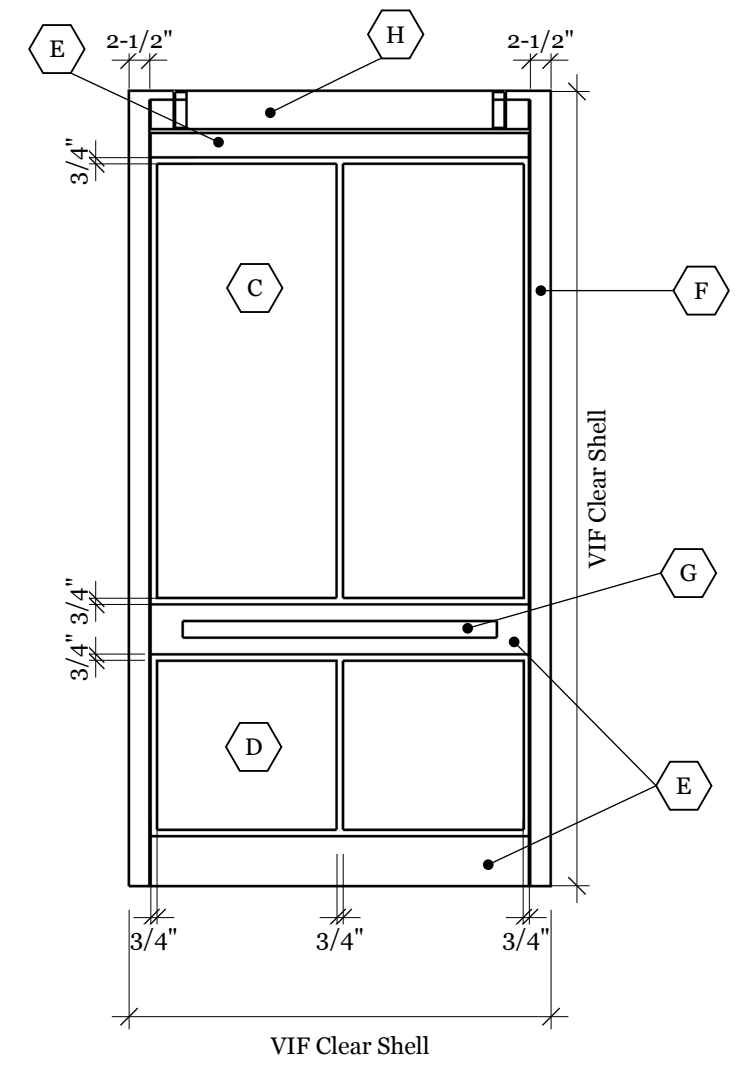
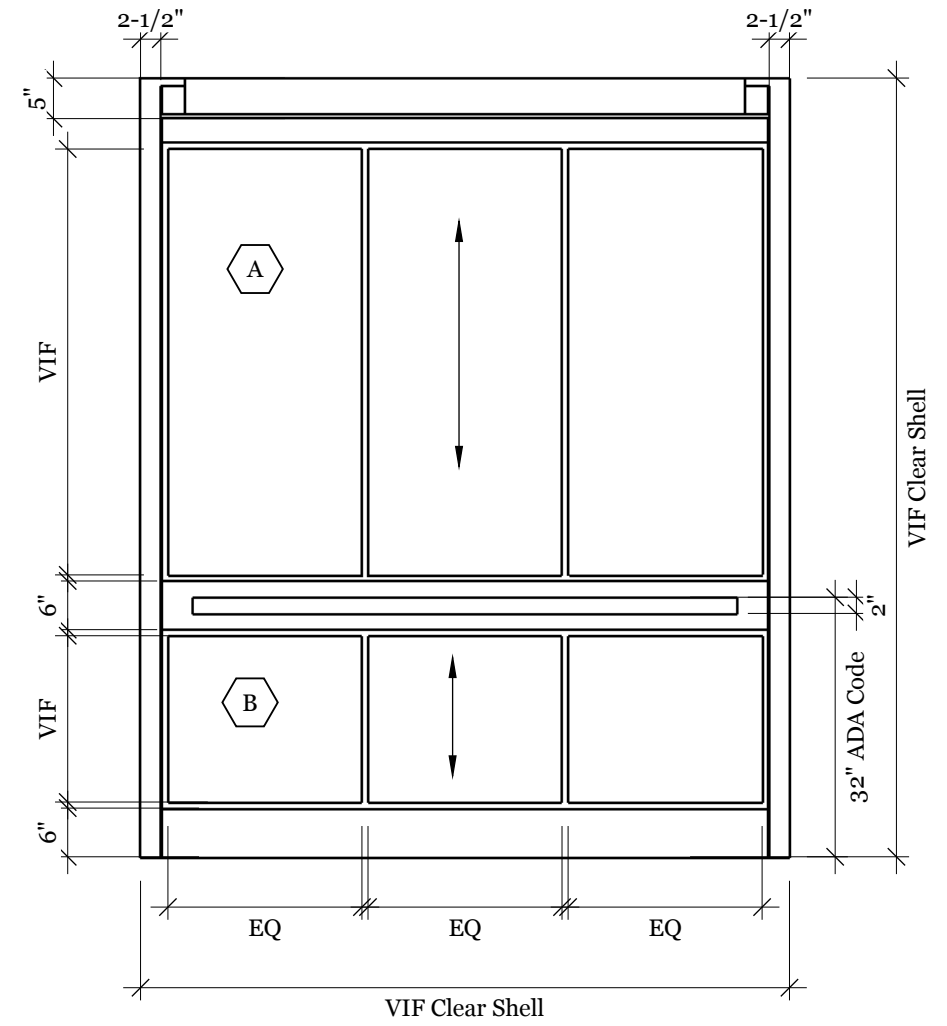
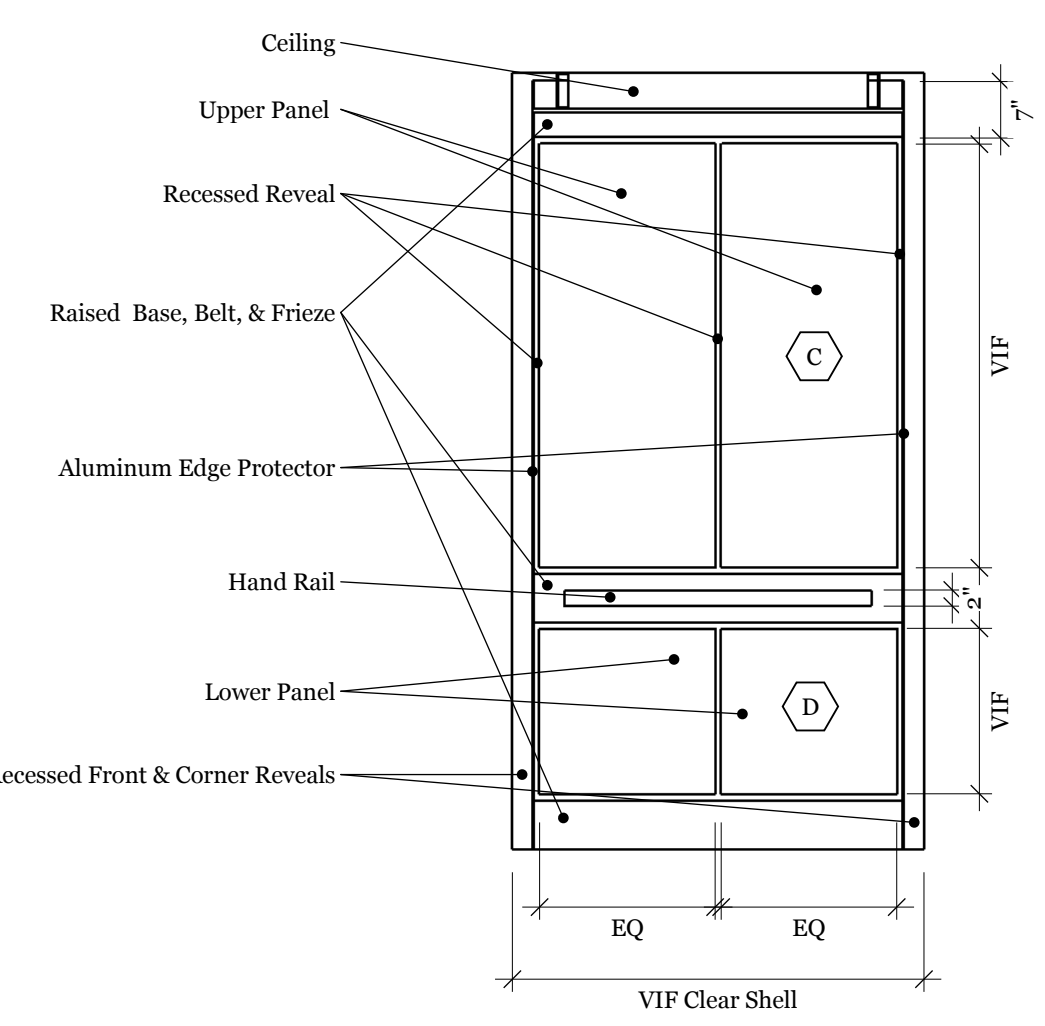
(3) Padded protective linings, for temporary use in passenger cars during the handling of freight, shall be of materials conforming to either Rule 204.2a (1) or (2). The protective lining shall clear the floor by not less than 4 in. (102 mm).

(4) Floor covering, underlayment, and its adhesive shall have a critical radiant flux of not less than 0.45 W/cm² as measured by ASTM E 648.

(5) Handrails, operating devices, ventilating devices, signal fixtures, audio and visual communication devices, and their housings are not required to conform to the requirements of Rules 204.2a(1) through (4).

FLAME SPREAD/SMOKE DEVELOPMENT FOR VERTICAL SURFACES IN ELEVATOR CAB ENCLOSURES

The elevator cab enclosure vertical surfaces flame spread and smoke development requirements are governed by the American National Standards Institute (ANSI) code ANSI A17.1. The International Building Code (IBC) by reference adopts this ANSI code as part of the overall IBC set of code requirements. Refer to 204.2a.1 (a) and (b) above to note that a Class "A" flame spread (0-25) is not required.



CabCraft Interiors
3700 Pennington Ave.
Baltimore, MD, 21126
www.Cabcraft.com

Project Manager & Sales

CLIENT

PROJECT

DRAWN BY

ISSUE

